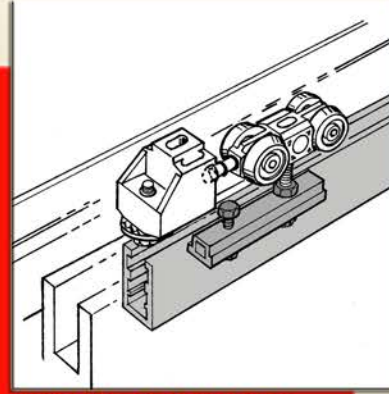
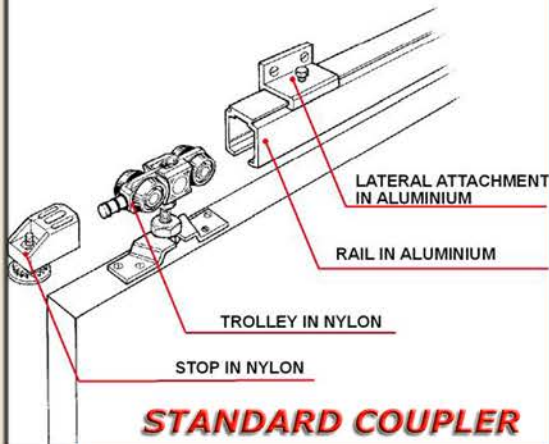


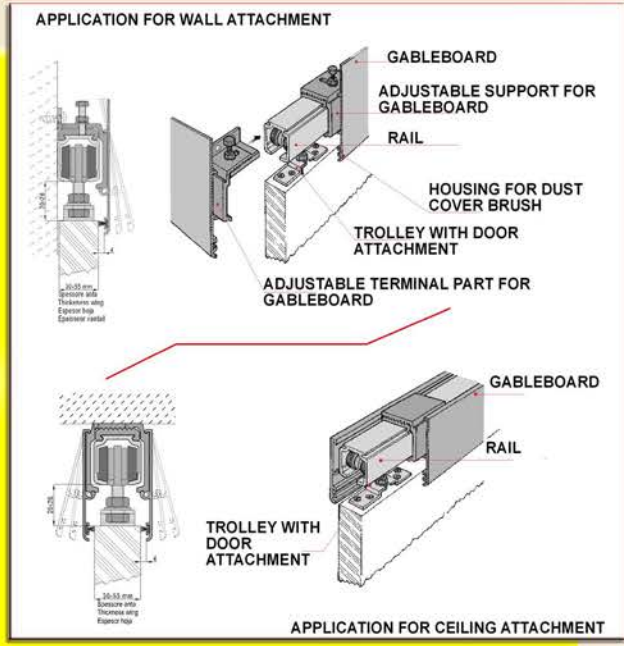
"MONOSILENT" PROGRAM

CAPACITY FOR COUPLE OF TROLLEYS

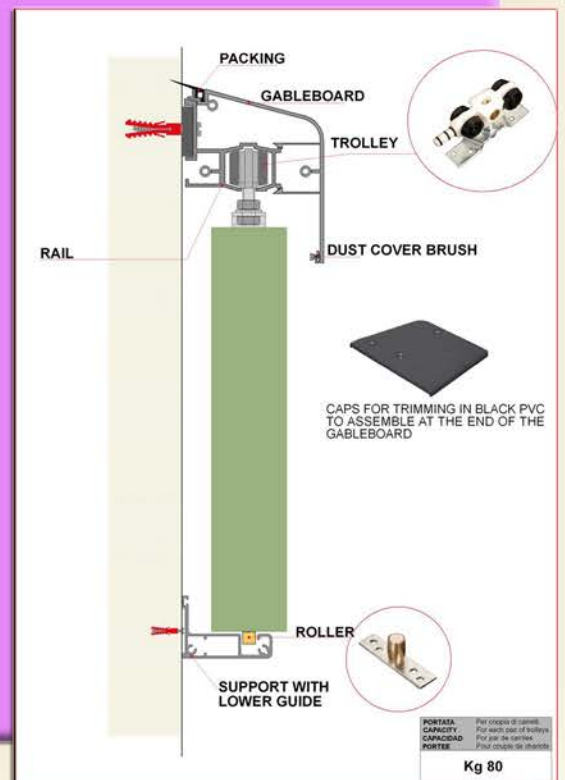
MS20	MS40	MS80	MS120
Kgs. 20	Kgs. 40	Kgs. 80	Kgs. 120
S20	S40	S80	S120



SLIDING SYSTEMS FOR FURNISHINGS WITH OR WITHOUT GABLEBOARD

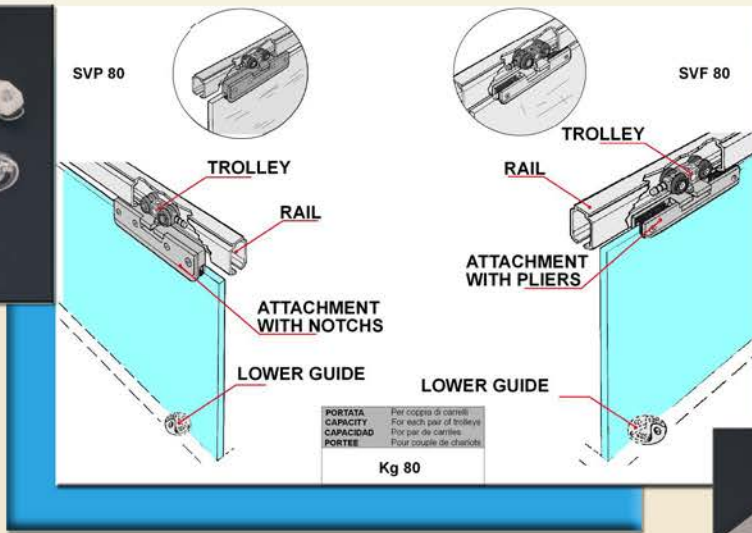


SLIDING SYSTEMS FOR BLINDS



COMPLETE KITS WITH RAIL IN ALUMINIUM, TROLLEYS IN NYLON, STOPS, ATTACHMENT BRACKETS AND LOWER GUIDE

"MONOSILENT" PROGRAM



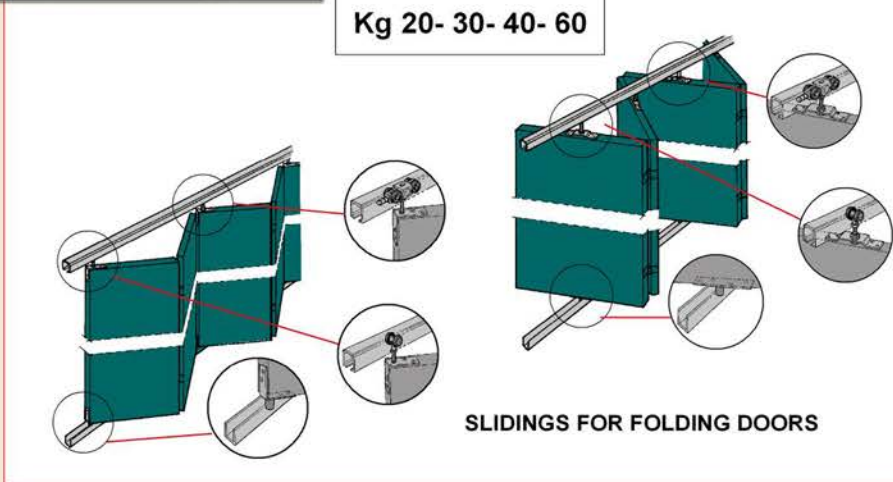
SET FOR GLASS SLIDING DOORS



PORTATA
CAPACITÀ
CAPACIDAD
PORTEE

Per coppia di carrelli
For each pair of trolleys
Por par de carriles
Pour couple de chariots

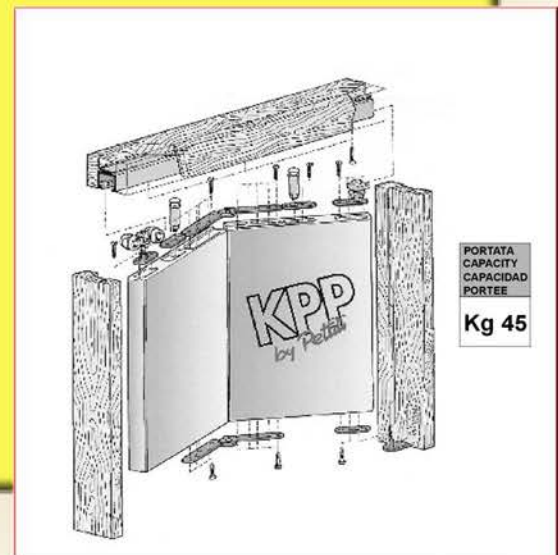
Kg 20- 30- 40- 60



SET FOR SLIDING FOLDING DOORS



KIT FOR FOLDING DOORS WITH OR WITHOUT FRAME



PETTITI GIUSEPPE S.p.A.

Strada Vicinale S.Giorgio,19 10036 SETTIMO TORINESE (TO) ITALY

Tel. +39 0118952105 - Fax +39 0118951955

E-mail pettitispa@pettitispa.com - www.pettitispa.com