

PETTITI GIUSEPPE SpA - ITALY



by Pettiti



**CERNIERE A MOLLA
SPRING-HINGES
CHARNIÈRE À RESSORT**

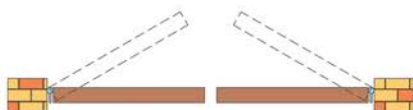
CERNIERE A MOLLA, IN ALLUMINIO
SPRING-HINGES, IN ALUMINIUM
CHARNIÈRE À RESSORT EN ALUMINIUM



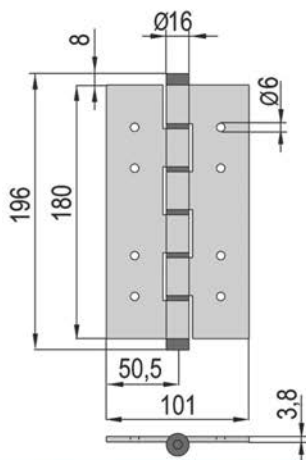
by Petti



CERNIERE A SINGOLA AZIONE
HINGES WITH SINGLE ACTION
CHARNIÈRE A SIMPLE ACTION
CMS180



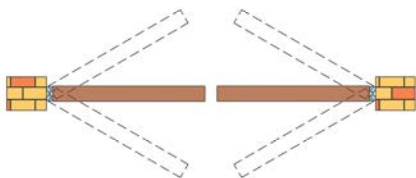
- **Cerniere a molla in alluminio verniciato, CMS180 e CMD180. Portata max. 20 Kg. Spinta della molla registrabile. Adatte per il profilo R50.**
- **Spring hinges in aluminium painted, CMS180 and CMD180. Max.weight 20kg. Adjustable spring movement. For profile R50.**
- **Charnière à ressort en aluminium verni, CMS180 et CMD180. Capacité 20kg. Force du ressort réglable. Pour profile R50.**





CERNIERE A DOPPIA AZIONE
HINGES WITH DOUBLE ACTION
CHARNIERE A DOUBLE ACTION

CMD180



● **Le cerniere CMS180 e CMD180 sono disponibili in 4 finiture:**

- Nero
- Bianco
- Colore alluminio
- Anodizzato oro

● **The hinges CMS180 and CMD180 are available in:**

- Black
- White
- Aluminium colour
- Gold anodized

● **Les paumelles CMS180 et CMD 180 sont disponibles en:**

- Noir
- Blanc
- Couleur aluminium
- Or anodisé

